



Skymasters R/C Club

We'll Teach you to fly!

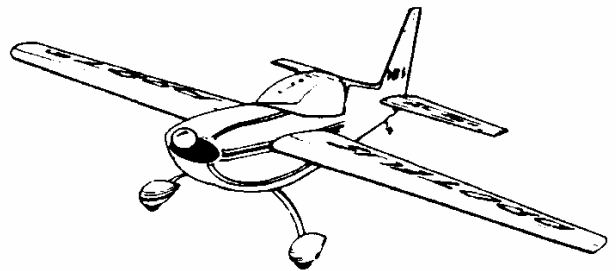
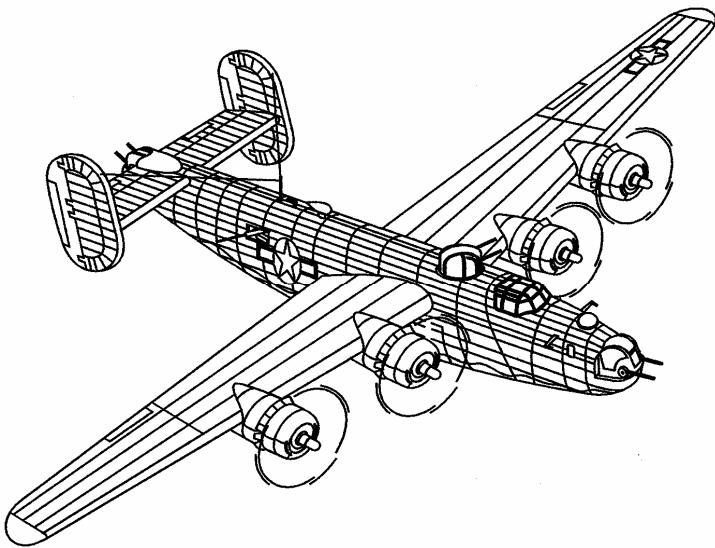
Join the Skymasters Radio Control Club for an R/C Aircraft Event

Harold 'Big H' Mesales Warbirds and Scale

Sunday July 20, 2008

Bald Mountain Scripps Road Field

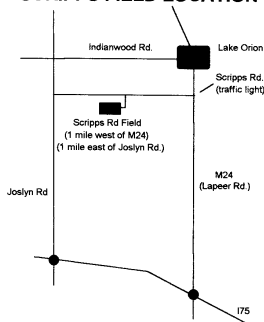
Event Flying starts at 10am



**Public
Welcome!**

Flying open to AMA members. 94dBa at 10 feet enforced.

SCRIPPS FIELD LOCATION



- Lots of Parking
- Refreshments available at event
- Toilet located at field
- Great chance to see this exciting hobby!

No Landing Fee
Pilots Prizes!

Flying field is located within the Bald mountain recreation Area, about 5 miles north of the Palace of Auburn Hills on Scripps Road between Lapeer Rd (M24) and Joslyn Rd.

All cars need annual/daily State Park sticker – available at event.

For more information call Joe Finkelstine 248-877-0086

Visit our website at www.skymasters.org